

版本	设计变更	日期	会签
A	新品打样	2025. 12. 3	YYK

Electrical PERFORMANCES

Impedance	50 Ω
Frequency Range	DC TO 6GHz
V.S.W.R	1.80max(DC-6GHz)
Insulation Resistance	1000 MΩ
Withstanding Voltage	500 VDC

Inner conductor data

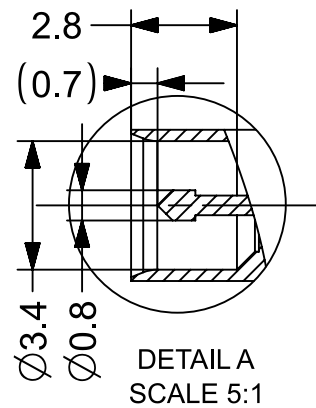
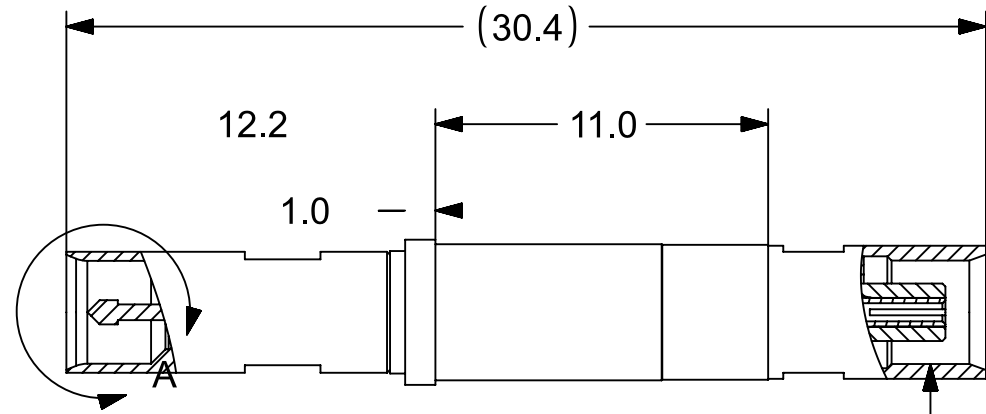
Full Travel	3.7mm
Recommended Travel	2.0mm
Spring Force	100g±20%@2.0mm
Tip Style Material	BeCu-Au plated
Current	3A

Outer conductor data

Full Travel	3.0mm
Recommended Travel	2.5mm
Spring Force	>400g@2.5mm
Current	10A

MECHANICAL PERFORMANCES

D.U.T	SMP Female Connectors
Interface of Cable Assembly	MCX Female
Test Life	10000 Times(PIN Changeable)
WORKING TEMPERATURE	-55°C~+85°C



Drawn	YYK	2025. 12. 3	Scale	3:1	Series: RCR	Group: RF Probe
Checked	YYK	2025. 12. 3	Sheet	1 of 1	Title: RCR-CXFSPF06-02	
Approved	ERIC	2024. 6. 21	Unit	mm		
Size	A4	REV.	R0	Note:		
				Tolerances Unless Otherwise Specified:		
				0 PLC ±0.15 1 PLC ±0.10 2 PLC ±0.05 3 PLC ±0.01		
					利科未来	
					THIS DRAWING IS A CONTROLLED DOCUMENT.	