

版本	设计变更	日期	会签
A	新品打样	2025. 12. 5	YYK

### Electrical PERFORMANCES

Impedance	50 Ω
Frequency Range	DC TO 6GHz
V.S.W.R	1.80max(DC-6GHz)
Insulation Resistance	1000 MΩ
Withstanding Voltage	500 VDC

### Inner conductor data

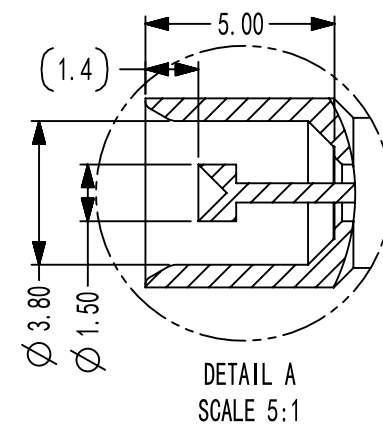
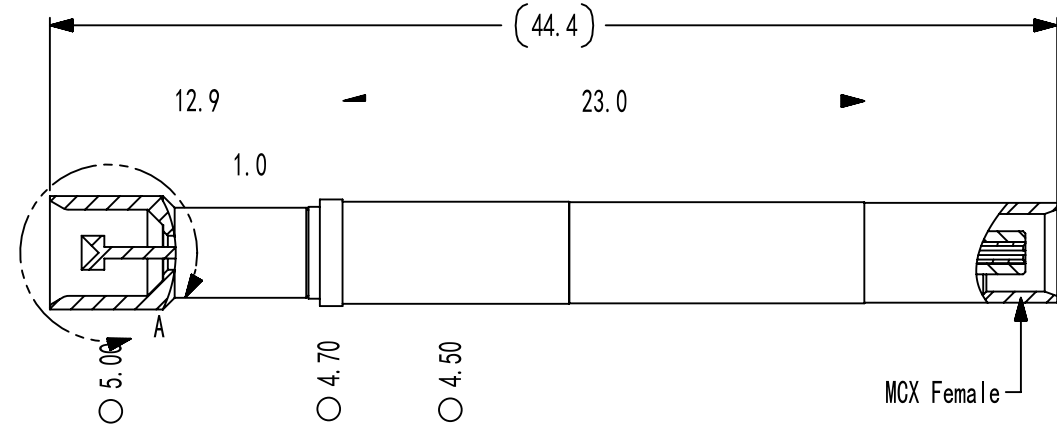
Full Travel	3.7mm
Recommended Travel	2.0mm
Spring Force	100g±20%@1.5mm
Tip Style Material	BeCu-Au plated
Current	3A


### Outer conductor data

Full Travel	5.0m
Recommended Travel	3.7mm
Spring Force	>500g@3.0mm
Current	10A

### MECHANICAL PERFORMANCES

D.U.T	SMB Male Connectors
Interface of Cable Assembly	MCX Female
Test Life	10000 Times(PIN Changeble)
WORKING TEMPERATURE	-55°C~+85°C



Drawn	YYK	2025. 12. 5	Scale	3:1	Series: RK	Group: RF Probe
Checked	YYK	2025. 12. 5	Sheet	1 of 1	Title: RK-50013SMBM-6G	
Approved	ERIC	2024. 6. 21	Unit	mm		
Size	A4	REV.	R0	Note:	 <b>利科未来</b>	
				Tolerances Unless Otherwise Specified: 0 PLC ±0.15    1 PLC ±0.10 2 PLC ±0.05    3 PLC ±0.01	THIS DRAWING IS A CONTROLLED DOCUMENT.	