

版本	设计变更	日期	会签
A	新品打样	2024. 10. 16	YYK

Electrical PERFORMANCES

Impedance	100 Ω
Frequency Range	1GHz
Working Voltage	100 V rms

Inner conductor data

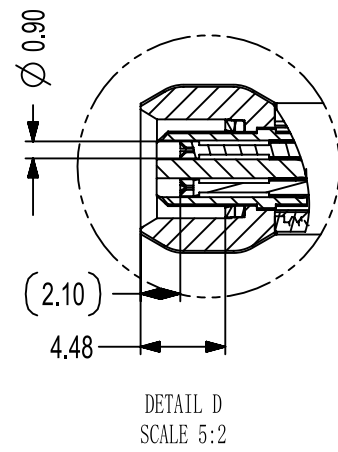
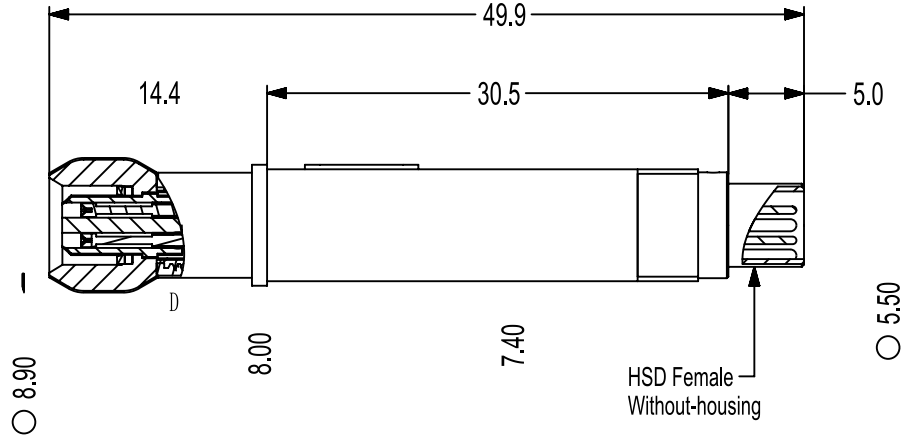
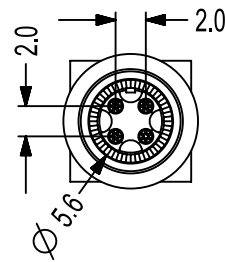
Full Travel	3.7mm
Recommended Travel	2.0mm
Spring Force	120g±20%@2.0mm
Tip Style Material	BeCu-Au plated
Current	3A


Outer conductor data

Full Travel	6.0m
Recommended Travel	5.0mm
Spring Force	>600g@5.0mm
Current	10A

MECHANICAL PERFORMANCES

D.U.T	HSD Male Connectors
Interface of Cable Assembly	HSD Female
Test Life	10000 Times(PIN Changeable)
WORKING TEMPERATURE	-55°C~+85°C



Drawn	YYK	2024. 10. 16	Scale	2:1	Series: RP	Group: RF Probe
Checked	YYK	2024. 10. 16	Sheet	1 of 1	Title: RCR-SDFSDM10-01	
Approved	ERIC	2024. 10. 16	Unit	mm		
Size	A4	REV.	A	Note:		
				Tolerances Unless Otherwise Specified:		
				0 PLC ±0.15	1 PLC ±0.10	
				2 PLC ±0.05	3 PLC ±0.01	
				 利科未来 Connecting the future		
THIS DRAWING IS A CONTROLLED DOCUMENT.						