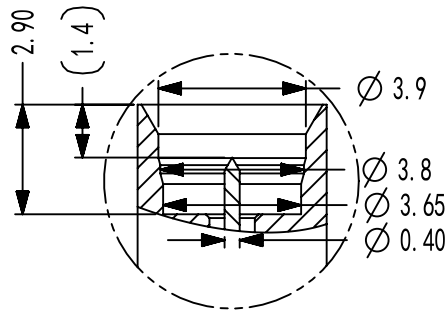
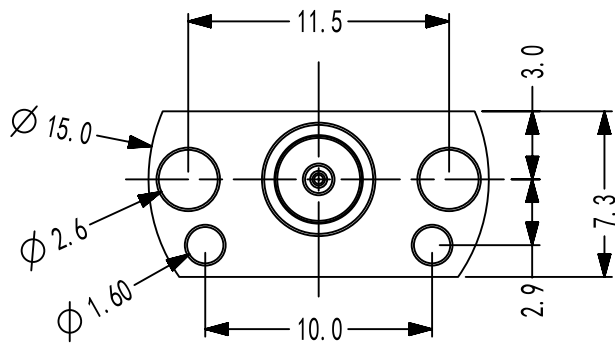
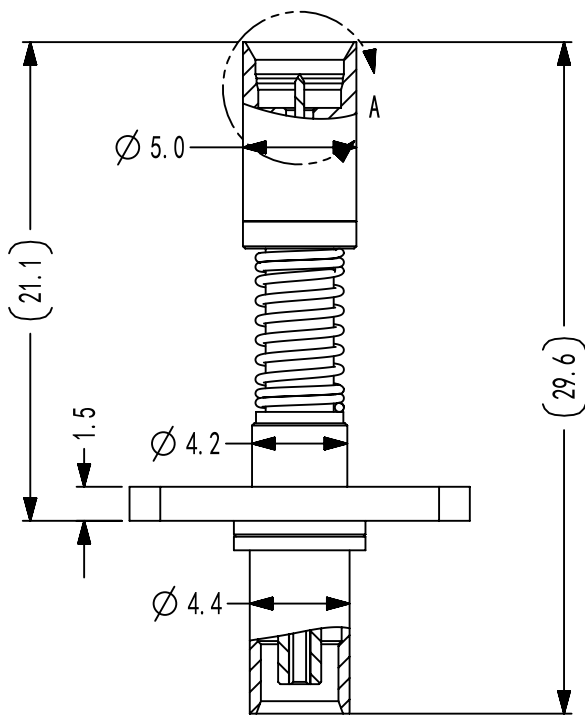
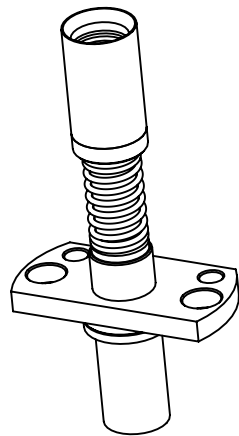


其他 $\nabla^{0.8}$


Version	Design Change	Date	Name
A	First Release	2025.11.7	YYK



DETAIL A
SCALE 5:1



ELECTRICAL PERFORMANCES	
IMPEDANCE	50 Ohm
FREQUENCY RANGE	DC TO 6GHz
V.S.W.R	1.80max(DC-6GHz)
INSULATION RESISTANCE	5000 Mohm
WITHSTANDING VOLTAGE	500 VDC
MECHANICAL PERFORMANCES	
FULL TRAVEL	2.2mm@INNER,3.0mm@OUTER
RECOMMENDED TRAVEL	1.2mm@INNER,2.0mm@OUTER
SPRING FORCE	100g@INNER,>600g@OUTER
D.U.T	FAKRA MALE CONNECTORS
TEST LIFE	10000 TIMES(PIN CHANGEBLE)
Cable connection	MCX MALE
WORKING TEMPERATURE	-55°C~+85°C

Drawn	YYK	2025. 11. 7	Scale	3:1	Series: RP-HF66	Group:	RF Probe
Checked	YYK	2025. 11. 7	Sheet	1 of 1	Title: RP-HF66XF33F-04		
Approved	ERIC	2024. 6. 21	Unit	mm			
Size	A4	REV.	A	Note:	 利科未来 THIS DRAWING IS A CONTROLLED DOCUMENT.		
Tolerances Unless Otherwise Specified: 0 PLC ±0.15 1 PLC ± 0.10 2 PLC ±0.05 3 PLC ± 0.01							